

ULTRA

ULTRA SEAT CORPORATION

K732

UPPER SLIDE RAILS



UPDATED: 1/8/2014

FEATURES

- Medium Adjustable Backrest
- Double Locking Recline with Controls on Both Sides
- Extra Large Seat and Back Cushions
- Adjustable Mechanical Lumbar
- Document Holder
- Heavy Duty Mechanical Suspension
- Up to 130kg (290lbs) Manual Weight Adjustment
- 60mm (2.375") Suspension Height Adjustment in 3 Positions
- 100mm (4") Suspension Stroke
- Adjustable Upper Double Locking Slide Rails with 5mm Reinforcement Bars

OPTIONS

- 2.5" Econo Armrest Left • **870-38L**
- 2.5" Econo Armrest Right • **870-38R**
- 2.5" Standard Armrest Left • **870-34L**
- 2.5" Standard Armrest Right • **870-34R**
- Adjustable Headrest B/G Cloth • **870-221**
- Adjustable Headrest Black Vinyl • **870-23**
- 2" Retractable Seat Belt • **810-65**
- 3" Retractable Seat Belt • **810-67**
- Air Lumbar Kit (Single) • **960-551SK**
- 12 Volt Seat Cushion Heater Kit • **830-286**
- 24 Volt Seat Cushion Heater Kit • **830-287**
- *Other Seat Belt Options Available*
- *Universal Mounting Bars, Plates, Turntables, Pedestals and Tethers Available*
- *Contact One Of Our "Seating Specialists" For More Details*

MODELS

K732 Black/Grey Cloth • 870-15

K732 Black Vinyl • 870-16

INDUSTRY STANDARDS

- Operator Seat Vibration: ISO 7096
- Seat Belt Anchor: ISO 6683
- Flammability: FMVSS 302

FULL SUSPENSION

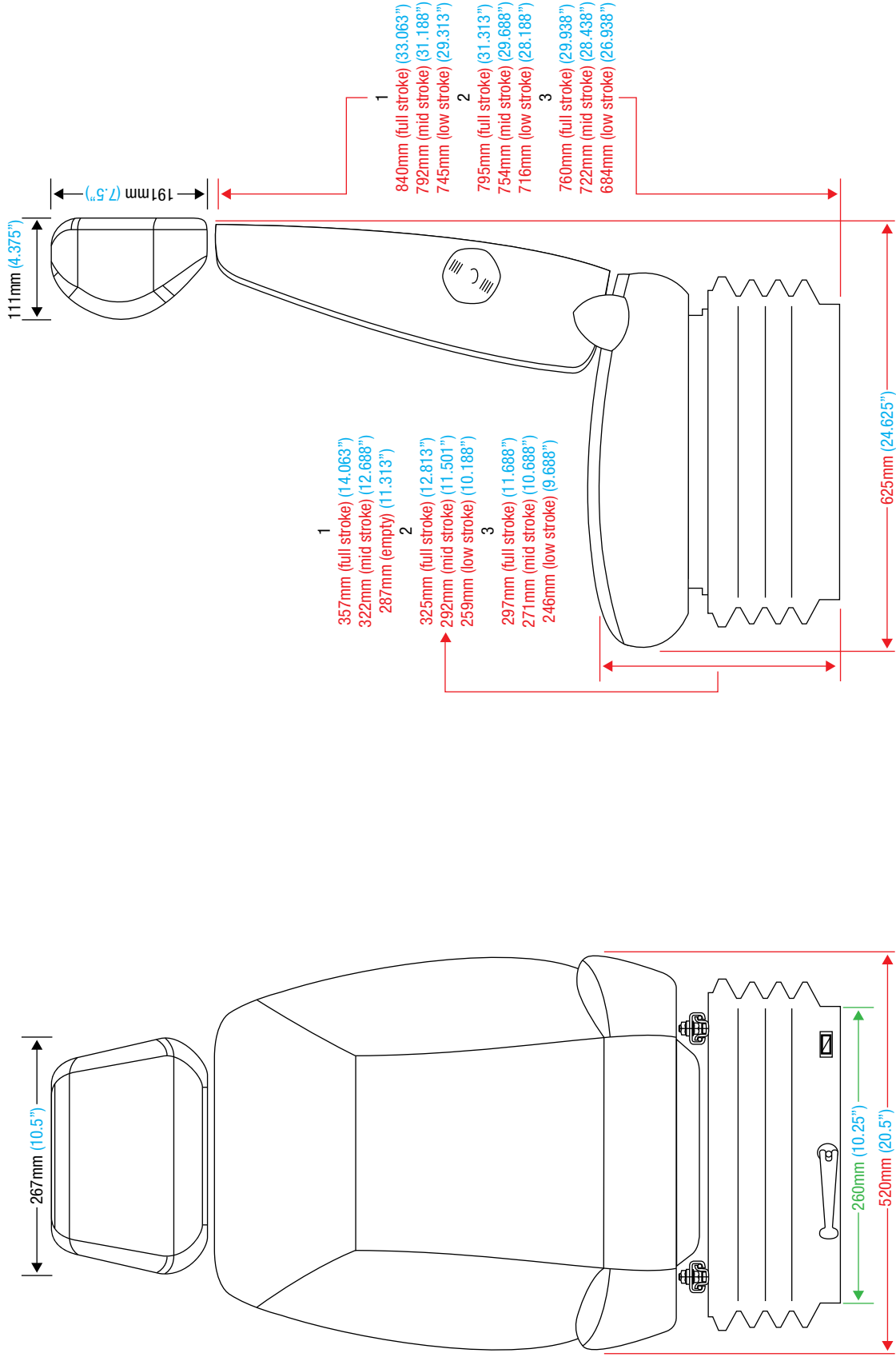
ULTRASEAT.COM

PHONE: 1-800-667-7328

FAX: 1-888-667-7328

K732 DIMENSIONS

WEIGHT - 66LBS (30KG)



* Shown with Optional Headrest
* Mounting Pattern Dimensions
* Measurements in Inches
* Overall Dimensions

* 1-High Setting, 2-Medium Setting, 3-Low Setting

PHONE: 1-800-667-7328 • FAX: 1-888-667-7328

ULTRASEAT.COM



ULTRA SEAT CORPORATION