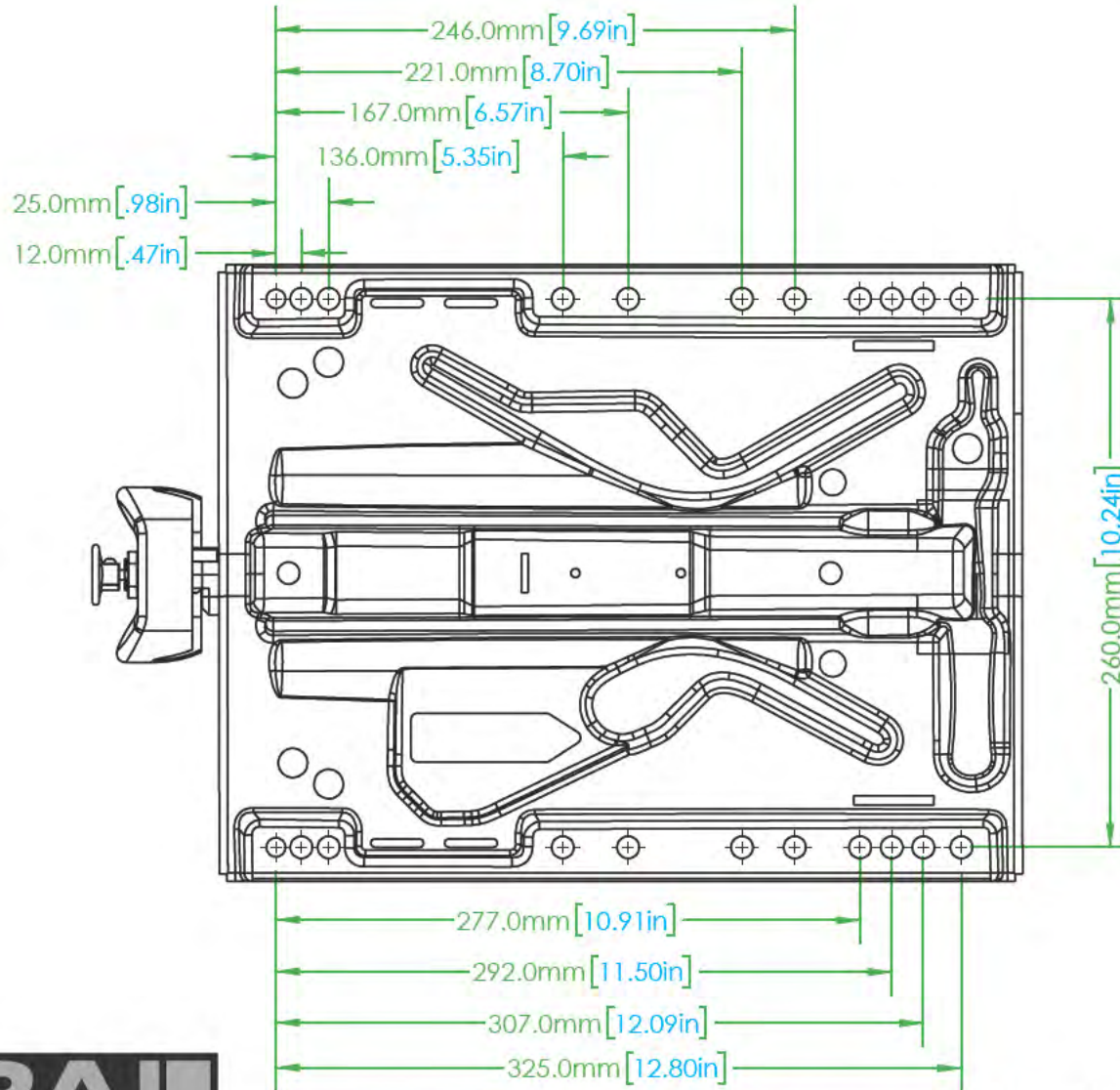


SUSPENSION BASE HOLE PATTERN

S076C

BOTTOM MOUNTING PATTERN

Note: Holes labeled "A" have M8 welded nuts



04/04/2022

Front

Back



ULTRA SEAT CORPORATION

* Mounting Pattern Dimensions
* Measurements in Inches

PHONE: 1-800-667-7328 • FAX: 1-888-667-7328

ULTRASEAT.COM