

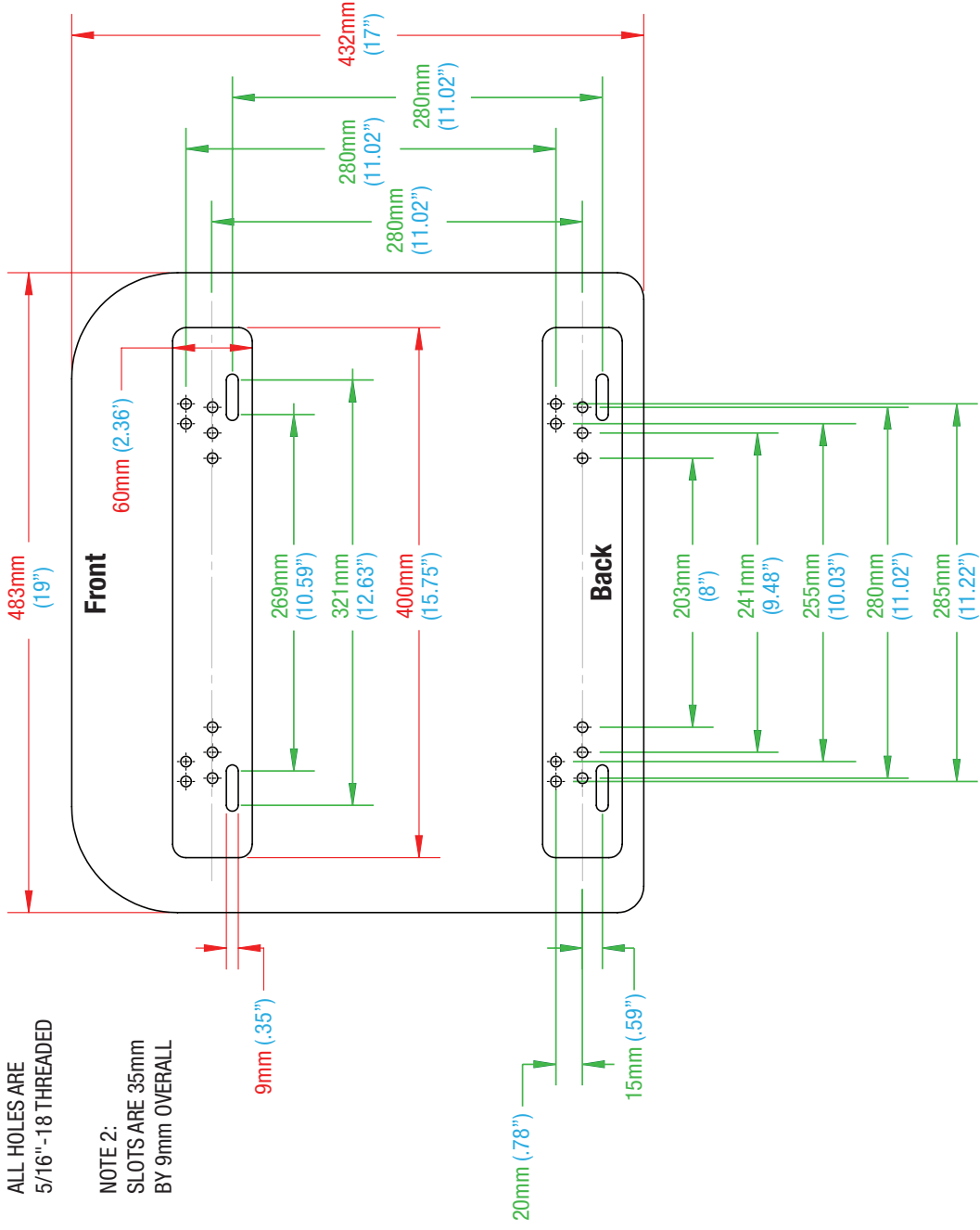
SEAT BASE HOLE PATTERN

E522

Bottom Mounting Pattern

NOTE 1:
ALL HOLES ARE
5/16"-18 THREADED

NOTE 2:
SLOTS ARE 35mm
BY 9mm OVERALL



* Mounting Pattern Dimensions

* Measurements in Inches

* Overall Dimensions



ULTRA SEAT CORPORATION

PHONE: 1-800-667-7328 • ULTRASEAT.COM