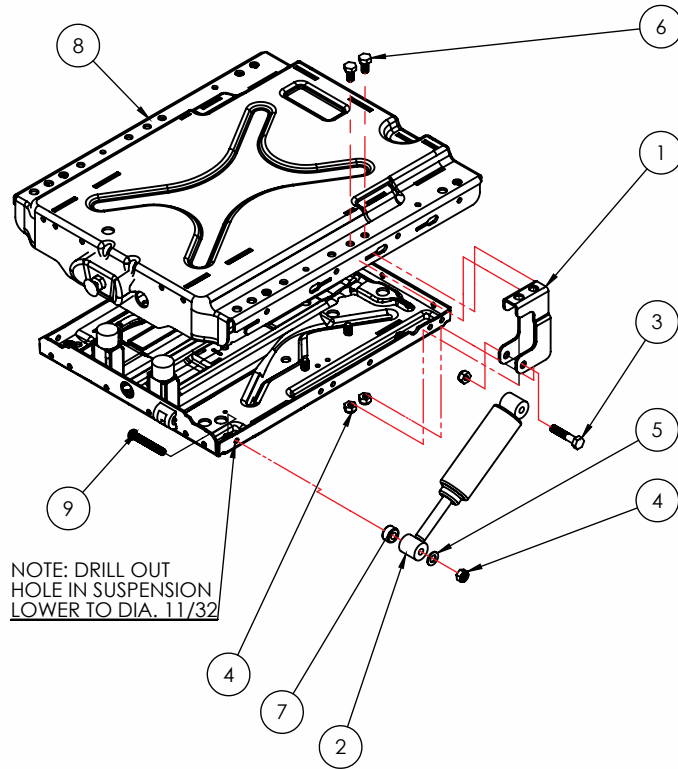


S073 and S076C Damper Kit parts and hardware included for installation.

ITEM NO.	PART NUMBER	DESCRIPTION	QTY.
1	330-261	S076C/S073 DAMPER BRACKET	1
2	870-302 -OR- 870-303	S076C DAMPER S073 DAMPER	1
3	200-150	SHOULDER BOLT	1
4	200-216	NYLON LOCK NUT	4
5	200-264	WASHER	1
6	200-156	15MM M8 BOLT	2
7	200-210	3/8 SPACER	1
8	N/A	S076C SUSPENSION -OR- S073 SUSPENSION	N/A
9	200-152	50MM BOLT	1

Note: Installation the same for S073 Suspension only damper changes to part # 870303. All mount holes are the same.

For this installation, you will need:  
 1 - Socket Wrench with 1/2" Socket  
 1 - 1/2" Wrench and  
 1 - Utility Knife



# S073 ADDITIONAL DAMPER

## INSTALLATION GUIDE



Phone: 1-800-667-7328

Fax: 1-888-667-7328

[www.ultraseat.com](http://www.ultraseat.com)



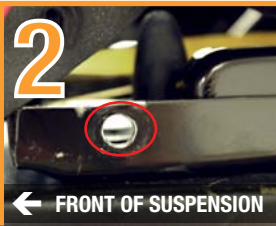
1 While facing the suspension, cut a 1.75" slit in the area located on what is now your right hand side. Again, make sure you are facing the front of the suspension. Then cut a curve around the existing pilot hole in the boot in the area indicated in the picture. This will allow you to pull the damper shaft through the boot to mount to the lower part of the suspension.



4 Align the top of the supplied bracket with the underside of holes 7 & 8 and mount using 2 x 200-156 M8 Bolts and 2 x 200-216 Lock Nuts provided.



7 Place the damper inside the suspension boot and pull the damper shaft through the slit you cut in Step 1.



2 Lift suspension boot in same corner as in Step 1 and drill to widen the existing hole to 11/32" diameter. It's the 1st hole back from the front of the suspension



5 To install the cylinder side of the damper to the bracket you will use 1 x 200-150 Shoulder Bolt, and 1 x 200-216 Lock Nut.



8 Prepare for the damper shaft to be mounted into the suspension base with the following hardware. 1 x 200-152 50mm Bolt, 1 x 3/8" Spacer and 1 x 200-216 Lock Nut. When prepared, it should look like the following picture.



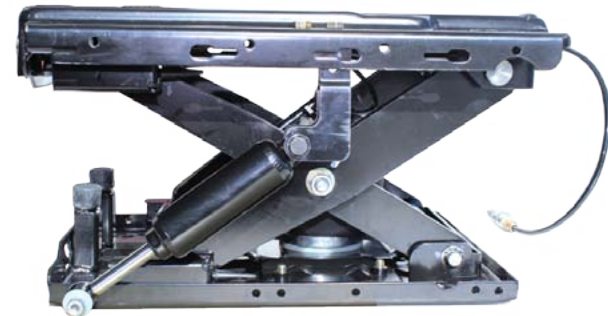
3 On the same side as in step 1 and 2, mount the supplied bracket to holes 7 & 8 on the top plate of the suspension.



6 Insert the long bolt and slide it through the cylinder side of the damper, then all the way through the other side of the bracket and secure with the lock nut. Your assemble should look like the following pictures when complete.



9 Next slide the end of the damper shaft onto the bolt and secure with the 1 x 200-216 Lock Nut.



**Completed Installation without Boot**



**Completed Installation with Boot**

Please visit [www.ultraseat.com](http://www.ultraseat.com) for more information regarding this product.

## S073 ADDITIONAL DAMPER INSTALLATION GUIDE