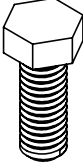




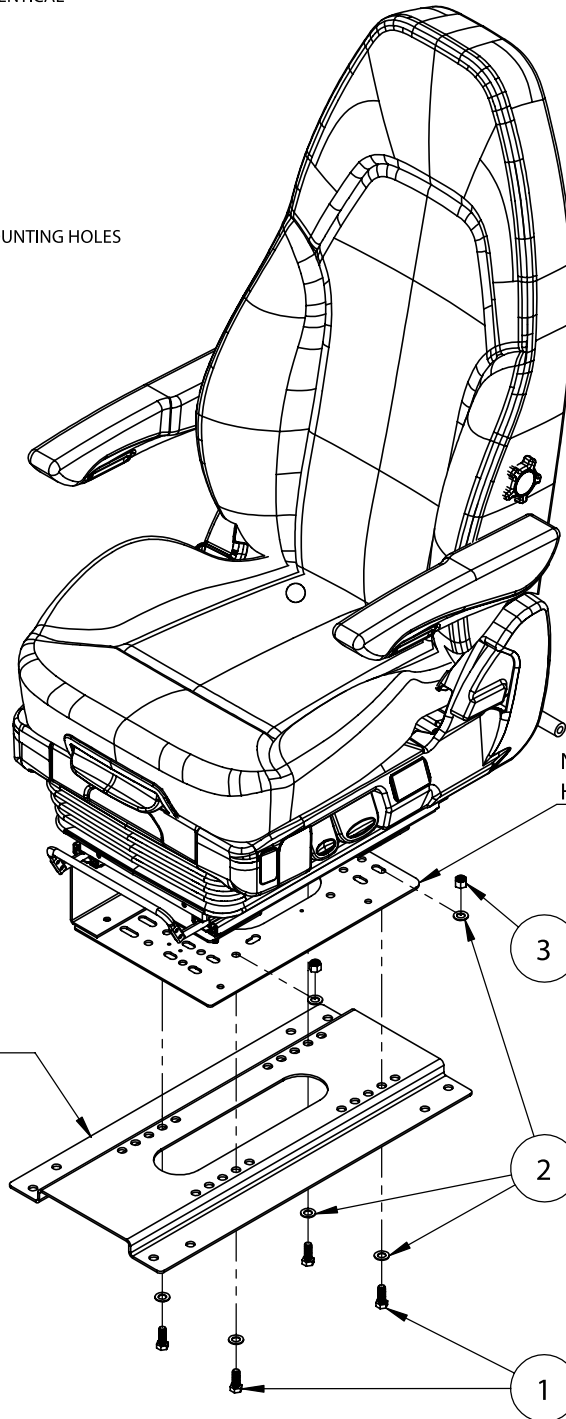
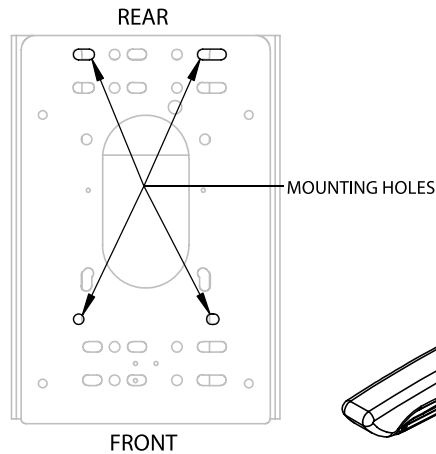
KENWORTH ADAPTER INSTALLATION GUIDE

APPLIES TO
CONVOY KENWORTH ADAPTER



1. 3/8" x 1" BOLT (X4)	2. 3/8" FLAT WASHER (X8)	3. 3/8" NYLOCK WASHER (X4)
		

HIGH BASE SHOWN, LOW BASE HOLES ARE IDENTICAL



NOTE: ANY OF THE 5 SETS OF HOLES IN BRACKET CAN BE USED TO ADJUST MOUNTING POSITION FORWARDS OR BACKWARDS

NOTE: LEFT SIDE OF BASE HIDDEN FOR CLARIFICATION

SCAN FOR GUIDES



Guides also available at:
<https://www.ultraseat.com/downloads>

15002208