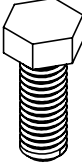




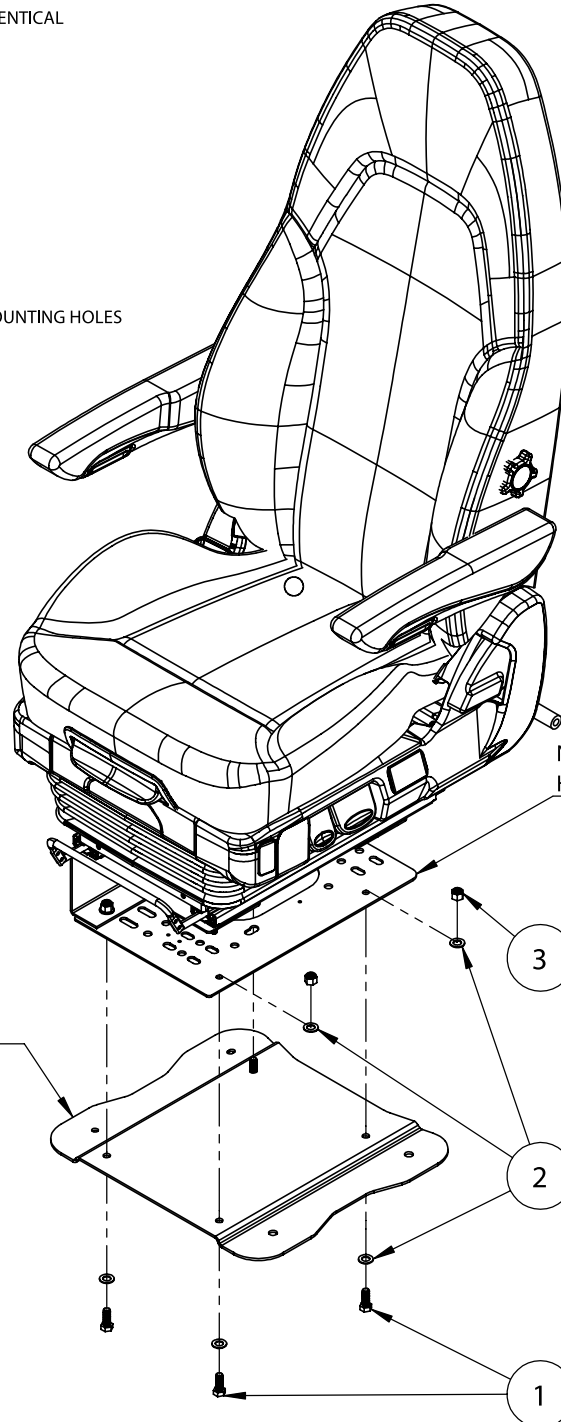
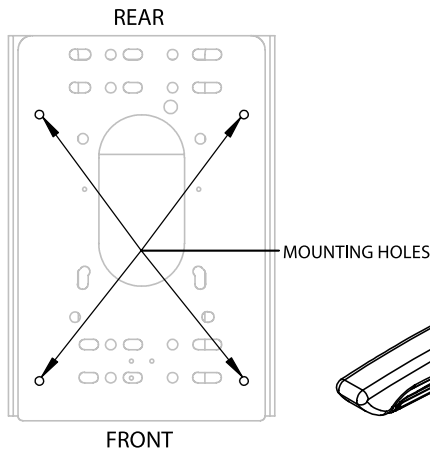
# CONVOY HINO ADAPTER INSTALLATION GUIDE

APPLIES TO  
**CONVOY HINO ADAPTER**



1. 3/8" x 1" BOLT (X4)	2. 3/8" FLAT WASHER (X8)	3. 3/8" NYLOCK WASHER (X4)
		

HIGH BASE SHOWN, LOW BASE HOLES ARE IDENTICAL



NOTE: BRACKET IS NOT SYMMETRICAL,  
INDENTED END ALWAYS FACES  
TOWARDS THE REAR

NOTE: LEFT SIDE OF BASE  
HIDDEN FOR CLARIFICATION

SCAN FOR  
GUIDES



Guides also available at:  
<https://www.ultraseat.com/downloads>

15002208