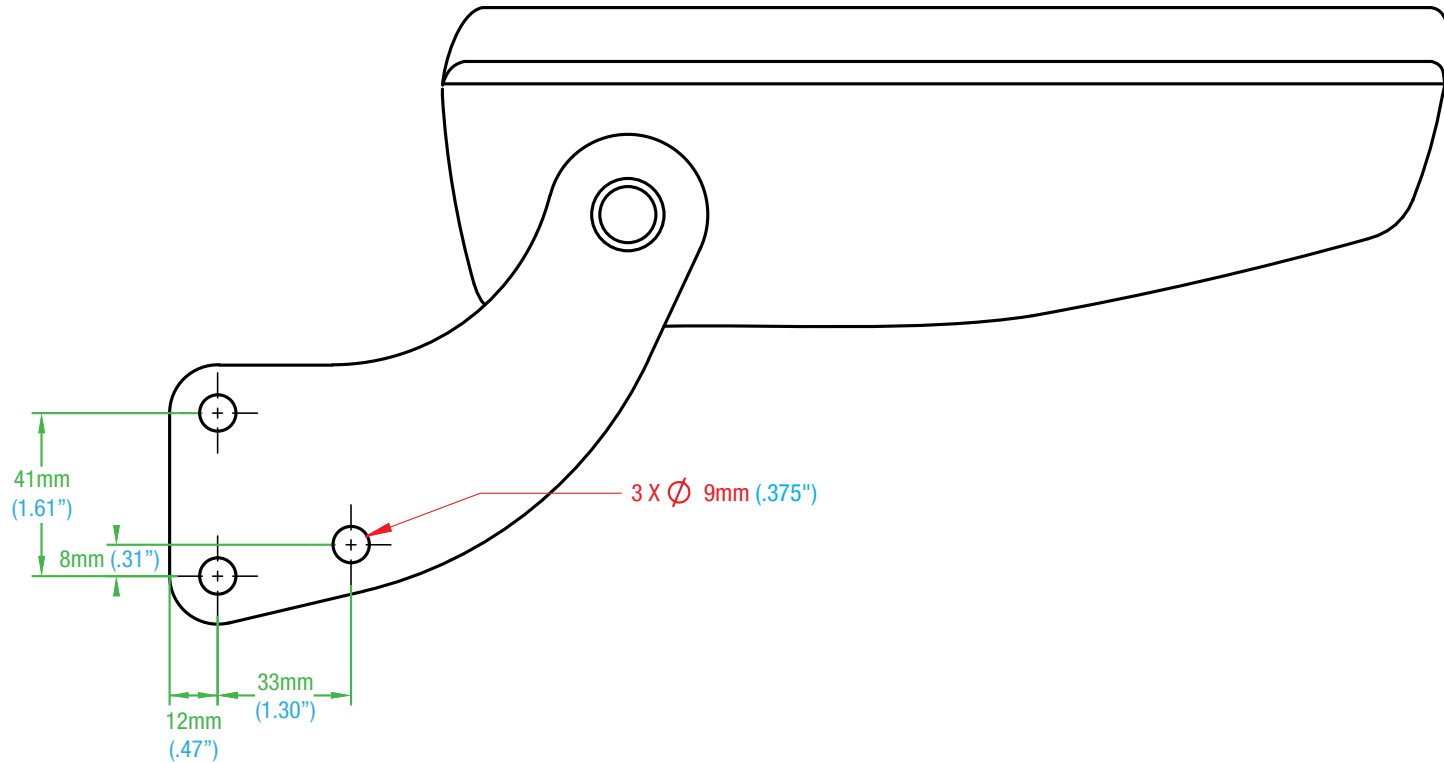


ARMREST HOLE PATTERN

570-31L



ULTRA SEAT CORPORATION

* Mounting Pattern Dimensions

* Measurements in Inches

* Overall Dimensions

PHONE: 1-800-667-7328 • FAX: 1-888-667-7328

ULTRASEAT.COM