



ULTRA SEAT CORPORATION

Ultra
854C Air Ride



Features:

- ◆ Air suspension
- ◆ Built in 12V compressor
- ◆ High backrest
- ◆ Back angle adjustment
- ◆ Slide rails between suspension and upper
- ◆ Weight adjustment from 50-130 kg
- ◆ Fore and aft isolator
- ◆ Double dampers
- ◆ Variable up-stop (seat height adjustment)
- ◆ Five position lumbar support
- ◆ 854C lava gray (front control) - 830-80

Options:

- ◆ Adjustable headrest lava gray - 830-29
- ◆ Adjustable armrests 2" (pair) - 830-31
- ◆ Adjustable armrest 3" R/H - 830-32
- ◆ Adjustable armrest 3" L/H - 830-33
- ◆ Adjustable armrest 4" R/H - 830-39R
- ◆ Adjustable armrest 4" L/H - 830-39L
- ◆ Retractable seat belt 2" - 810-65
- ◆ Retractable seat belt 3" - 810-67
- ◆ "Z" bar mounting brackets - 810-59
- ◆ 4" pedestal base - 830-71
- ◆ 7" pedestal base - 830-70

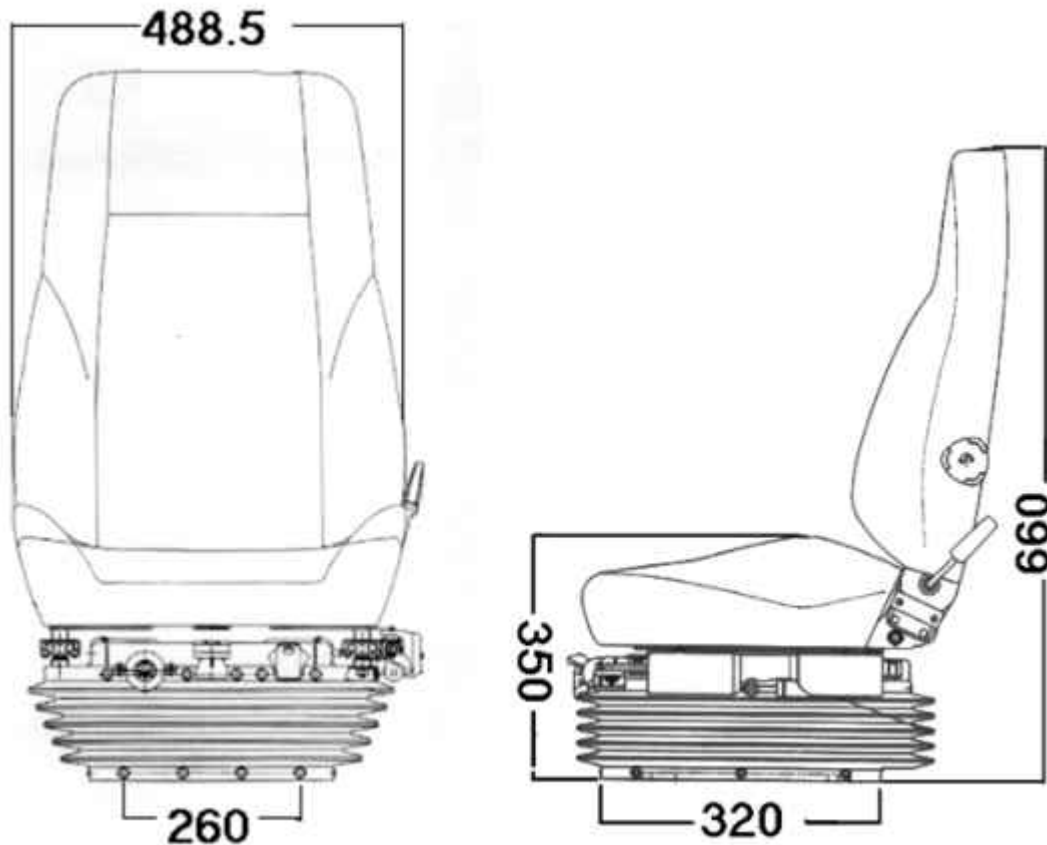
Call Us Today
Phone: 1-800-667-7328
Fax: 1-888-667-7328



ULTRA SEAT CORPORATION

Ultra

854C - Air Ride - Dimensions



**Note: Mounting Plate & "Z" Bar mounting brackets accomodate a wide range of bolt patterns.
Dimensions shown at mid-suspension stroke.**

854C- Air Ride - Weight 90 lbs.

Call Us Today
Phone: 1-800-667-7328
Fax: 1-888-667-7328

Sold By: