



ULTRA SEAT CORPORATION

Ultra

816/856C Mechanical/ Air Ride



Features:

- ◆ Mechanical suspension (816 only)
- ◆ Built in 12V compressor (856C only)
- ◆ Medium back seat
- ◆ Back angle adjustment
- ◆ Slide rails between suspension and upper
- ◆ Weight adjustment 50-130 kg
- ◆ Fore and aft isolator
- ◆ Five position lumbar support
- ◆ 20 degree turntable
- ◆ Variable up-stop (seat height adjustment)
- ◆ Comes with 3" arm rests (856C only)
- ◆ 816 Mechanical - 830-85
- ◆ 856C Air Ride - 830-86

Options:

- ◆ Back extension - 830-23
- ◆ Adjustable arm rests 2" (pair) - 830-31
- ◆ Adjustable arm rest R/H 3" - 830-32
- ◆ Adjustable arm rest L/H 3" - 830-33
- ◆ Adjustable arm rest 4" R/H - 830-39R
- ◆ Adjustable arm rest 4" L/H - 830-39L
- ◆ Retractable seat belt 2" - 810-65
- ◆ Retractable seat belt 3" - 810-67
- ◆ "Z" bar mounting brackets - 810-59
- ◆ Mounting plate - 850-59
- ◆ 4" pedestal base - 830-71
- ◆ 7" pedestal base - 830-70

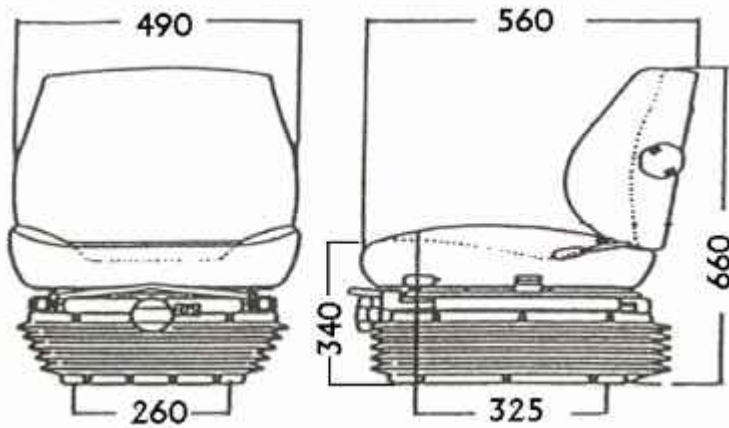


ULTRA SEAT CORPORATION

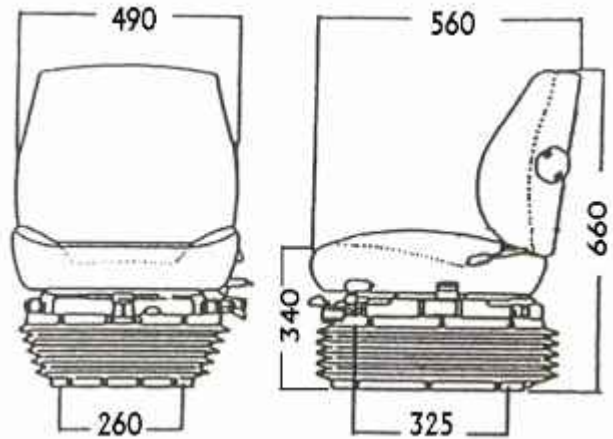
Ultra

816/856C - Mechanical/ Air Ride - Dimensions

816



856C



Note: Mounting Plate & "Z" Bar mounting brackets accomodate a wide range of bolt patterns. Dimensions shown at mid-suspension stroke.

816/856C - Mechanical/ Air Ride - Weight 90 lbs.

Call Us Today
Phone: 1-800-667-7328
Fax: 1-888-667-7328