



ULTRA SEAT CORPORATION

Ultra  
555PC Air Ride



Features:

- ◆ Air suspension with 24V compressor
- ◆ Provisions for second damper
- ◆ Manual air valve for seat adjustment
- ◆ Back angle adjustment
- ◆ Seat height and tilt adjustment
- ◆ Fore and aft adjustment below and above suspension
- ◆ Pods adjustable for height
- ◆ Pods can be tilted up for driver access to the seat
- ◆ Five position lumbar support
- ◆ Medium backrest
- ◆ 555PC lava gray fabric (front control) - 830-78C

Options:

- ◆ Adjustable headrest lava gray - 830-29
- ◆ Adjustable headrest breathable PVC - 830-22
- ◆ Retractable seat belt 2" - 810-65
- ◆ Retractable seat belt 3" - 810-67
- ◆ "Z" bar mounting brackets - 810-59
- ◆ Mounting plate - 850-59
- ◆ 4" pedestal base - 830-71
- ◆ 7" pedestal base - 830-70

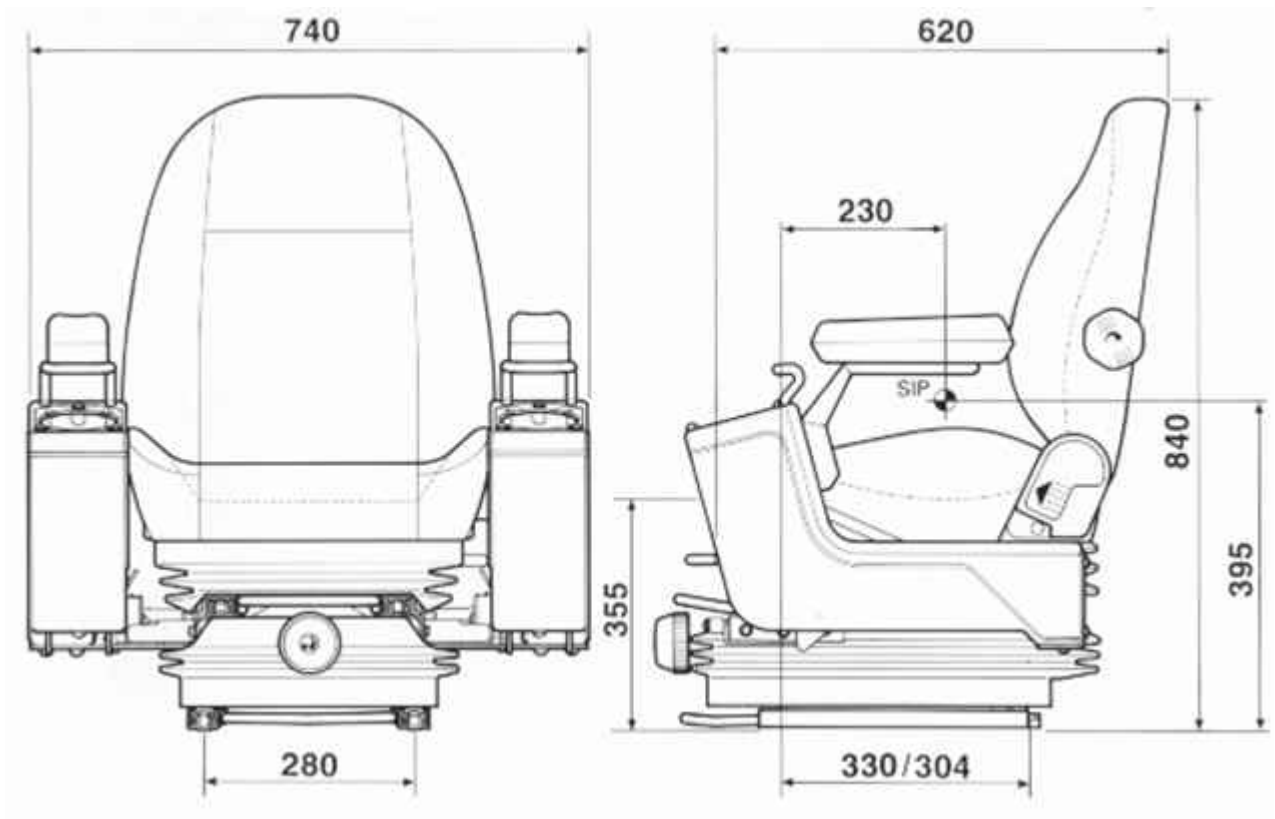
Call Us Today  
Phone: 1-800-667-7328  
Fax: 1-888-667-7328



ULTRA SEAT CORPORATION

Ultra

555PC - Air Ride - Dimensions



**Note: Mounting Plate & "Z" Bar mounting brackets accomodate a wide range of bolt patterns. Dimensions shown at mid-suspension stroke.**

555PC- Air Ride - Weight 90 lbs.

Call Us Today  
Phone: 1-800-667-7328  
Fax: 1-888-667-7328

Sold By:

--