



ULTRA SEAT CORPORATION

Ultra

525 Mechanical



Features:

- ◆ Heavy duty mechanical suspension
- ◆ Provision for second damper
- ◆ Weight adjustment from 80-150 kg
- ◆ Back angle adjustment
- ◆ Seat height and tilt adjustment
- ◆ Fore and aft adjustment
- ◆ Five position lumbar support
- ◆ Medium back seat
- ◆ 525 lava gray fabric (side control) - 830-75
- ◆ 525 black breathable PVC (side control) - 830-72
- ◆ 525 lava gray fabric (front control) - 830-75FC
- ◆ 525 black breathable PVC (front control) - 830-72FC

Call Us Today

Phone: 1-800-667-7328

Fax: 1-888-667-7328

Options:

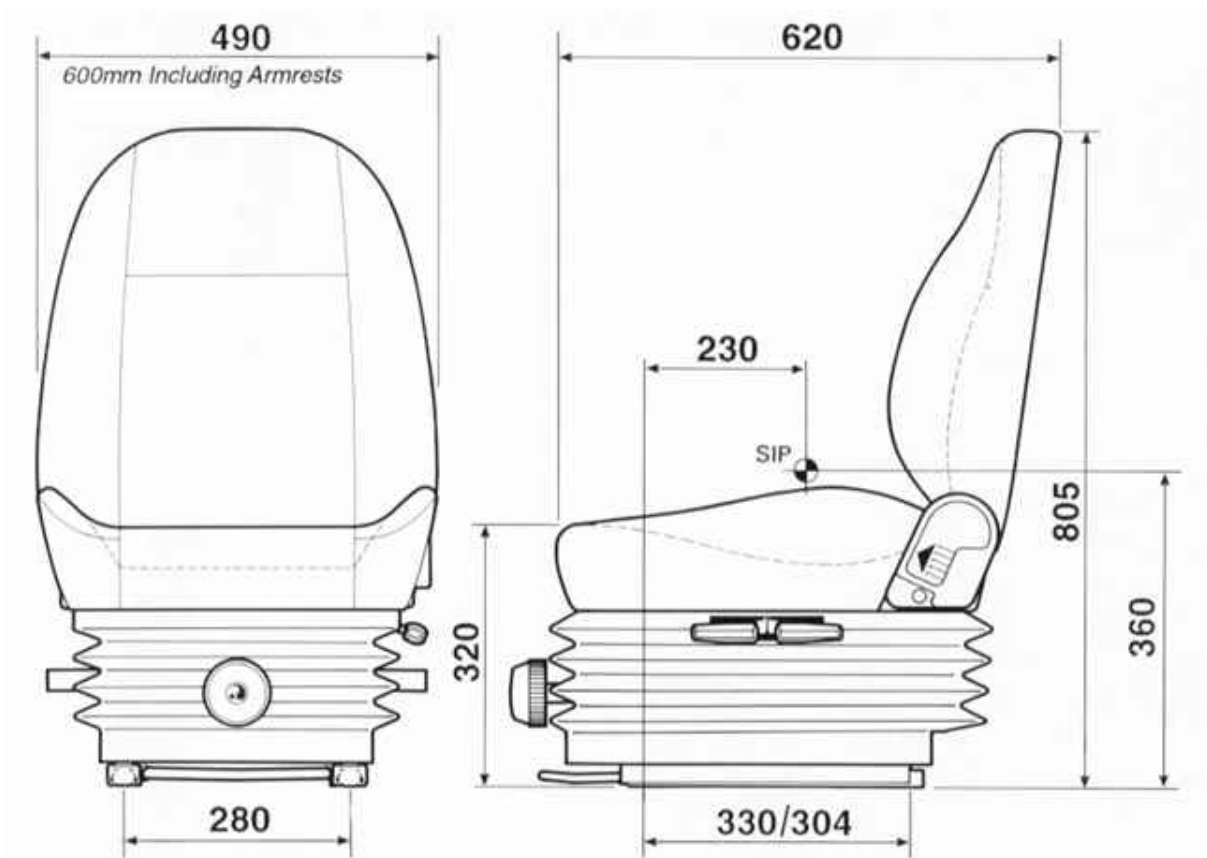
- ◆ Adjustable headrest lava gray - 830-29
- ◆ Adjustable headrest black breathable PVC - 830-22
- ◆ Adjustable armrests 2" (pair) - 830-31
- ◆ Adjustable armrest 3" R/H - 830-32
- ◆ Adjustable armrest 3" L/H - 830-33
- ◆ Adjustable armrest 4" R/H - 830-39R
- ◆ Adjustable armrest 4" L/H - 830-39L
- ◆ Retractable seat belt 2" - 810-65
- ◆ Retractable seat belt 3" - 810-67
- ◆ "Z" bar mounting brackets - 810-59
- ◆ Mounting plate - 850-59
- ◆ 4" pedestal base - 830-71
- ◆ 7" pedestal base - 830-70
- ◆ Turntable - 810-60



# ULTRA SEAT CORPORATION

## Ultra

### 525 - Mechanical - Dimensions



**Note: Mounting Plate & "Z" Bar mounting brackets accommodate a wide range of bolt patterns. Dimensions shown at mid-suspension stroke.**

525 - Mechanical - Weight 90 lbs.

Call Us Today  
 Phone: 1-800-667-7328  
 Fax: 1-888-667-7328

Sold By: