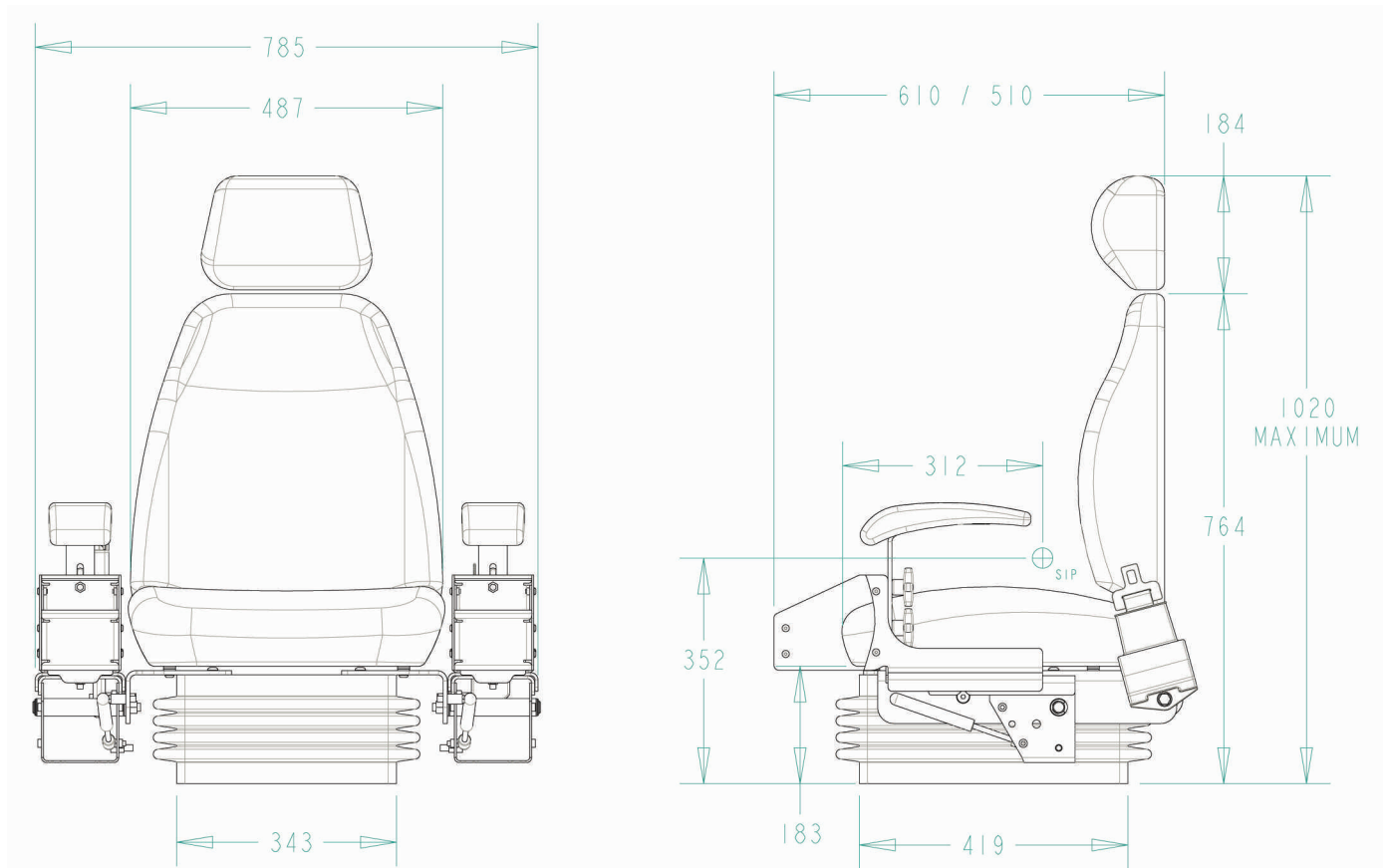




ULTRA SEAT CORPORATION

Ultra Seating

T775PC - Dimensions



NOTE: SIP IS CALCULATED AT MID-POSITION OF SUSPENSION (170 mm)

Note: Mounting Plate & "Z" Bar mounting brackets accommodate a wide range of bolt patterns. Dimensions shown at mid-suspension stroke.

Call Us Today
 Phone: 1-800-667-7328
 Fax: 1-888-667-7328
 www.ultraseat.com

Sold By: