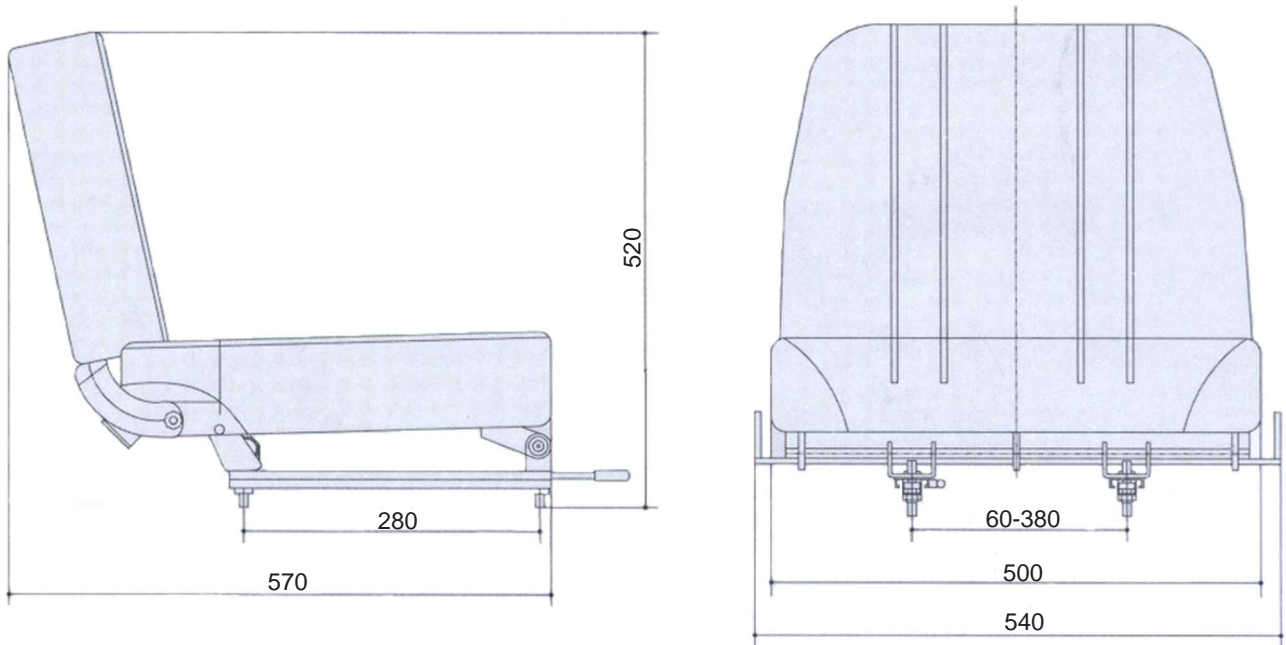




ULTRA SEAT CORPORATION

Ultra Seating  
F100- Dimensions



**Note: Optional "Z" Bar mounting brackets accomodate a wide range of bolt patterns.**

F100- Mechanical - Weight 20 lbs.

Call Us Today  
Phone: 1-800-667-7328  
Fax: 1-888-667-7328  
[www.ultraseat.com](http://www.ultraseat.com)

Sold By:

------------------