

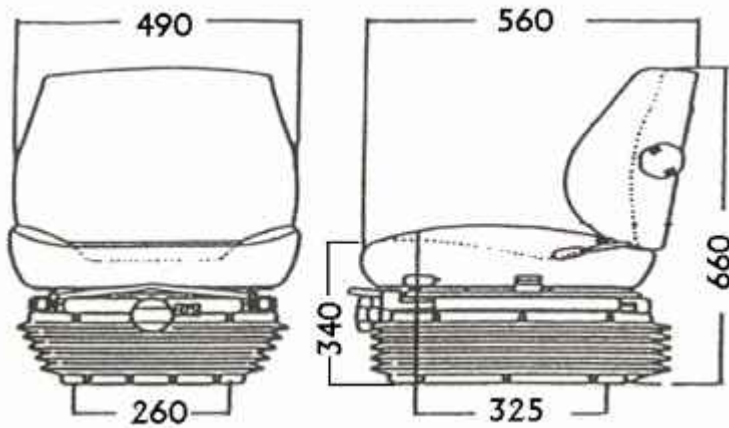


ULTRA SEAT CORPORATION

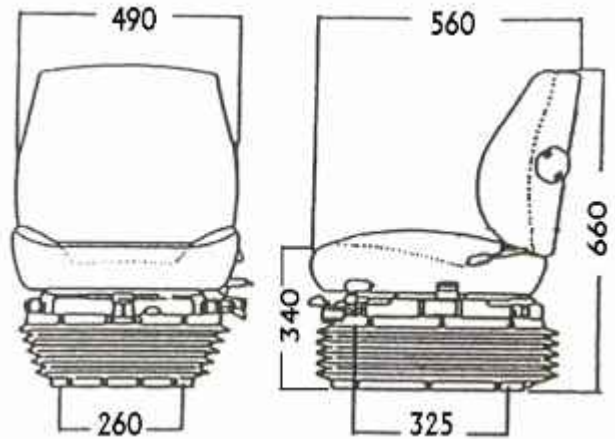
Ultra

816/856C - Mechanical/ Air Ride - Dimensions

816



856C



Note: Mounting Plate & "Z" Bar mounting brackets accomodate a wide range of bolt patterns. Dimensions shown at mid-suspension stroke.

816/856C - Mechanical/ Air Ride - Weight 90 lbs.

Call Us Today
Phone: 1-800-667-7328
Fax: 1-888-667-7328