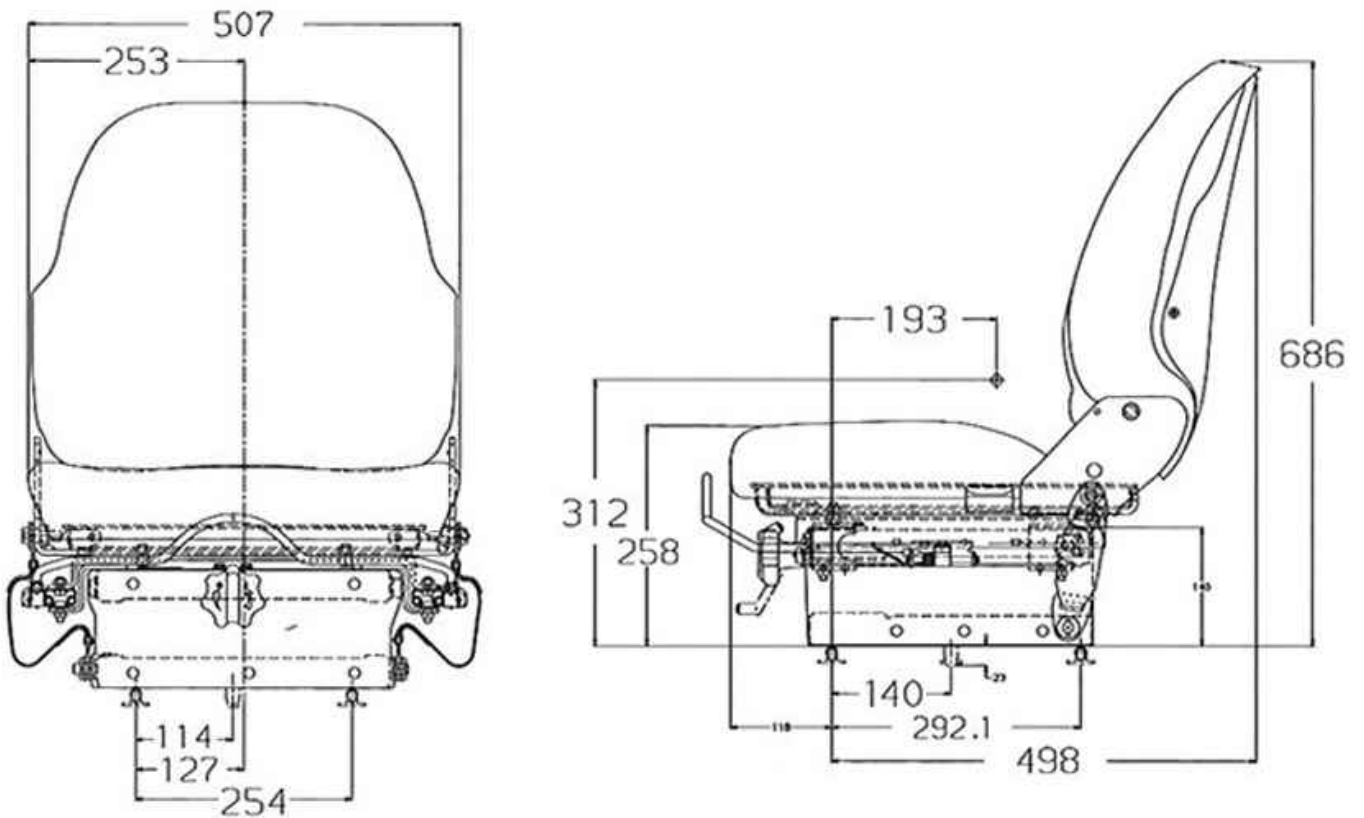




ULTRA SEAT CORPORATION

Ultra

5000 Series - Dimensions



Note: Mounting Plate & "Z" Bar mounting brackets accomodate a wide range of bolt patterns. Dimensions shown at mid-suspension stroke.

5000 Series - Mechanical - Weights 90 lbs.

Call Us Today
Phone: 1-800-667-7328
Fax: 1-888-667-7328

Sold By:

Empty box for salesperson signature.